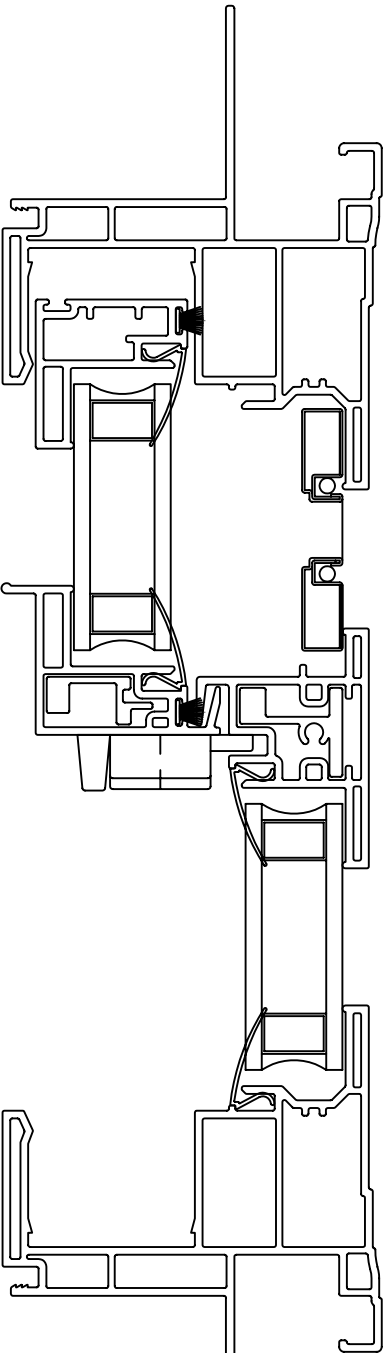
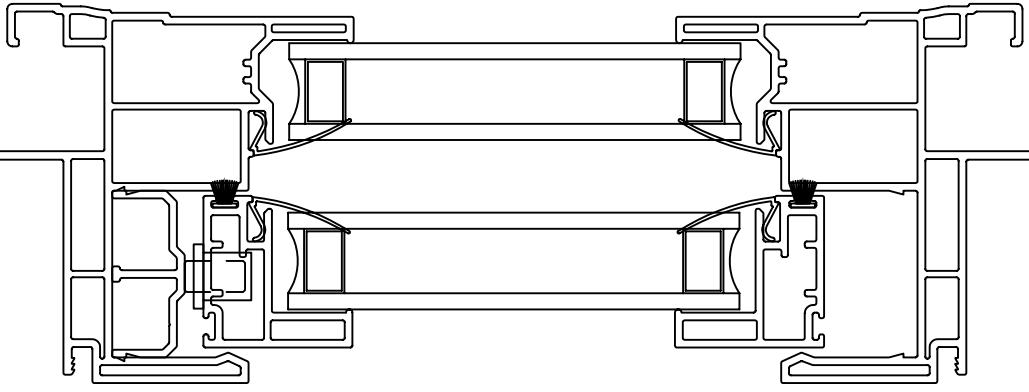


SS57W



REV	ECN	CHANGE	BY	DATE
A	XXXX	UPDATED PROFILE SSS701	BJF	12/20/04

VinylSource
 427 THACHER LANE
 YOUNGSTOWN, OH 44515

DESCRIPTION: SSS7W
 HORIZONTAL SINGLE SLIDER LAYOUT

SCALE: FULL

BY	DATE
BJF	11/4/04

DWG # SSS7W

THIS DOCUMENT CONTAINS CONFIDENTIAL AND PROPRIETARY INFORMATION
 DO NOT COPY OR DISCLOSE WITHOUT CONSENT OF VINYL-SOURCE INC.