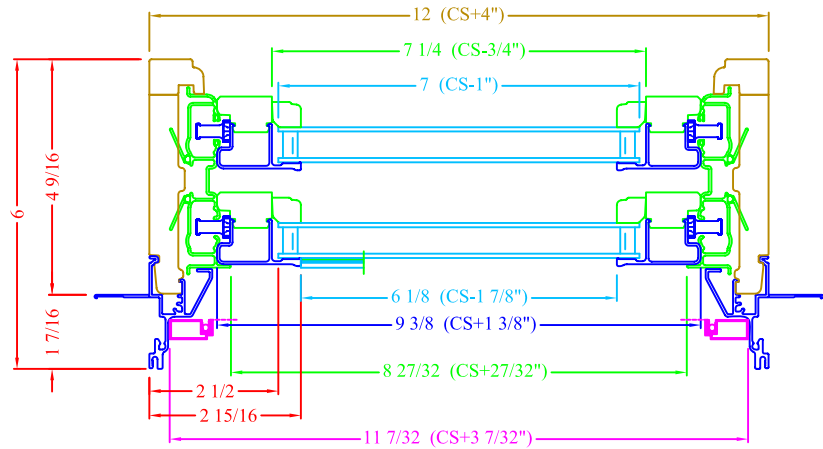


**NOTES:**

Bottom Sash Raised(w/flush mount locks)  
 EGRESS OPENING: CS+27/32" X CS-15/16"  
 Example: 32x28  
 Clear Opening: 32 27/32" x 27 1/16"  
 Clear Opening Sq/Ft: 6.172 Sq/Ft

Bottom Sash Removed  
 EGRESS OPENING: CS+27/32" X CS+11/16"  
 Example: 32x28  
 Clear Opening: 32 27/32" x 28 11/16"  
 Clear Opening Sq/Ft: 6.543 Sq/Ft

**Horizontal Section**



NOTES: Drawing based on Call Size 8x6



**SUN WINDOWS**  
 OWENSBORO, KY.

COLOR:  
 MAT'L:

DESCRIPTION: Horizontal & Vertical Section drawings for the USA Easy Tilt D.H.

DRAWN BY: Scott Merkel

REV	DESCRIPTION	BY

DATE: 1/05/06

PART NO.:

COST:

SCALE: 1/4" = 1"

X-FULL: